

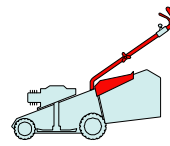
CA

CAL

434

484

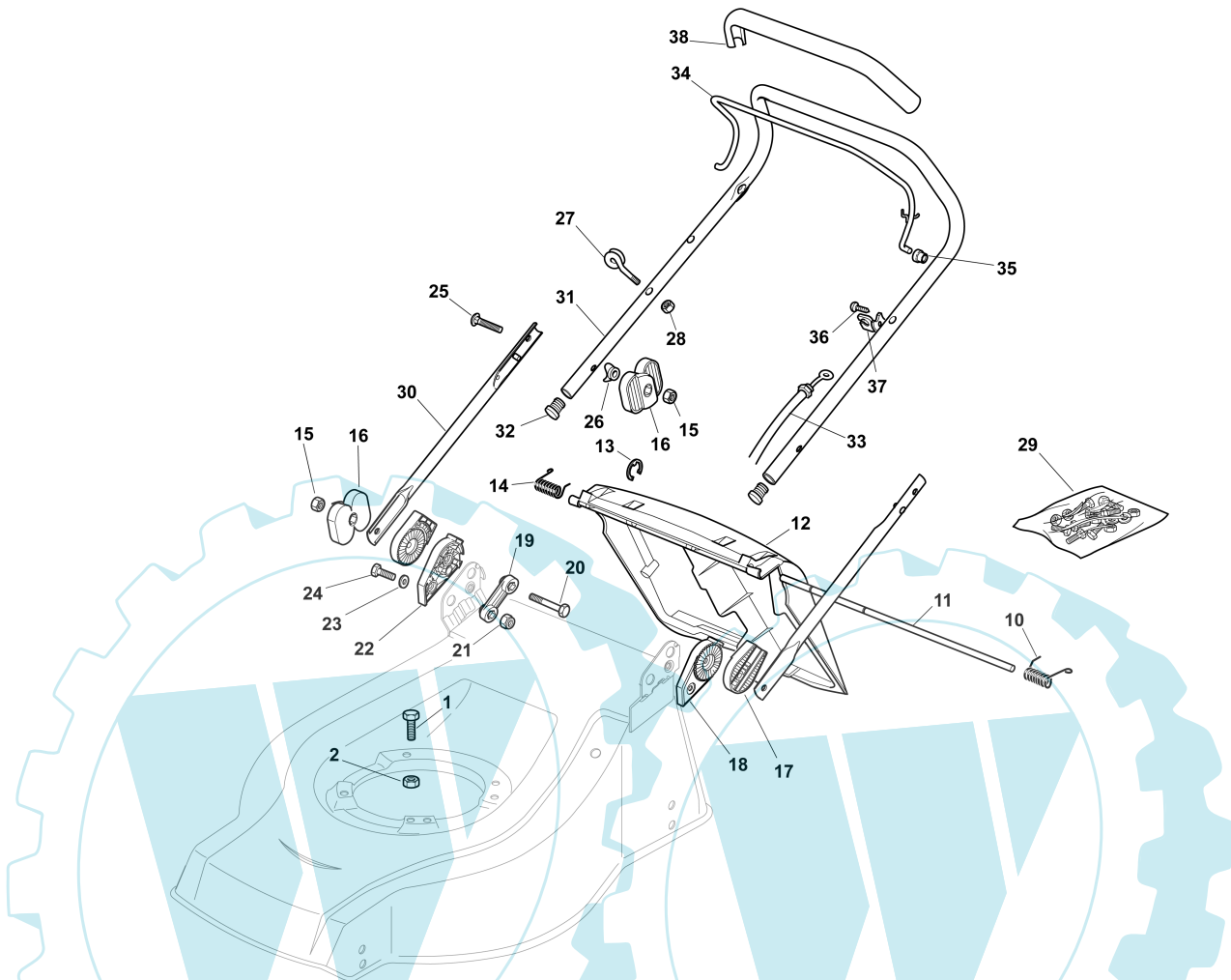
534



2007

611.0

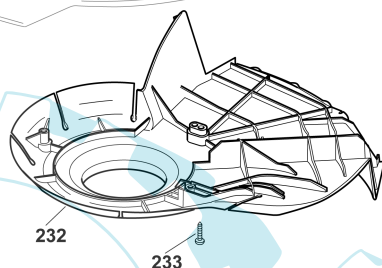
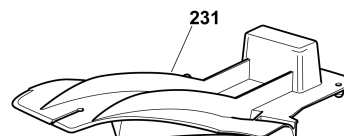
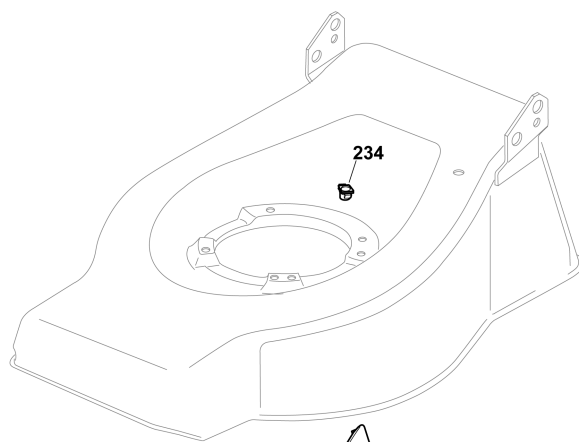
1 / 2



POS.	CODE	Q.TY	DESCRIZIONE	DESCRIPTION	DESCRIPTION	BESCHREIBUNG	REMARKS
1	12793701/0	3/2	VITE	SCREW	VIS	SCHRAUBE	
-	12691800/0	0/1	VITE	SCREW	VIS	SCHRAUBE	
2	12155000/0	0/1	DADO	NUT	ECROU	MUTTER	
-	12293201/0	3/2	DADO	NUT	ECROU	MUTTER	
10	22450420/1	1	MOLLA SX	L SPRING	RESSORT G	LINKE FEDER	
11	22517906/1	1	PERNO	PIN	PIVOT	BOLZEN	
12	22600063/1	1	PARASASSI	STONE-GUARD	PARE-PIERRES	PRALLBLECH	
13	12000930/0	1	ANELLO ELASTICO	SNAP RING	ANNEAU RESSORT	SPRENGRING	
14	22450410/1	1	MOLLA DX	R SPRING	RESSORT D	RECHTE FEDER	
15	12293202/0	4	DADO	NUT	ECROU	MUTTER	
16	22399803/0	4	MANOPOLINA	KNOB	POIGNÉE	GRIF	
17	22785081/1	2	SUPPORTO ESTERNO	SUPPORT, EXTERNAL	SUPPORT EXTERNE	HALTER, AUßERE	
18	22785083/1	1	SUPPORTO INTERNO SX	SUPPORT, L INTERNAL	SUPPORT INTERNE G	HALTER, INNERE L	
19	22551575/0	2	PIASTRINA INTERNA	PLATE, INSIDE	PLAQUETTE INTERNE	PLATTE, INNERE	
20	12691810/0	2	VITE	SCREW	VIS	SCHRAUBE	
21	12155000/0	2	DADO	NUT	ECROU	MUTTER	
22	22785082/0	1	SUPPORTO INTERNO DX	SUPPORT, R INTERNAL	SUPPORT INTERNE D	HALTER, INNERE R	
23	12521350/0	2	ROSETTA	WASHER	RONDELLE	SCHEIBE	
24	12793701/0	2	VITE	SCREW	VIS	SCHRAUBE	
25	12819125/0	2	VITE	SCREW	VIS	SCHRAUBE	

POS.	CODE	Q.TY	DESCRIZIONE	DESCRIPTION	DESCRIPTION	BESCHREIBUNG	REMARKS
26	22680006/1	2	ROSETTA	WASHER	RONDELLE	SCHEIBE	
27	22430309/0	1	MOLLA GUIDA	GUIDE SPRING	RESSORT DE GUIDE	FEDER FÜHRER	
28	12154330/0	1	DADO	NUT	ECROU	MUTTER	
29	81008633/0	1	DOTAZIONE VITERIA	OUTFIT, SCREWS	DOTATION VISSERIE	SATZ, SCHRAUBEN	
30	81006531/0	2	MANICO, PARTE INF	HANDLE, LOWER PART	MANCHERON, PARTIE INFERIEURE	HOLM, UNTERTEIL	
31	81006977/1	1	MANICO, PARTE SUP	HANDLE, UPPER PART	MANCHERON, PARTIE SUPERIEURE	HOLM, OBERTEIL	
32	18566112/0	2	PUNTALE	CAP	BOUCHON	GUMMISTOPFEN	
33	81000625/0	1	CAVO FRENO MOTORE	CABLE, THREAD MOTOR BRAKE	CABLE FREIN MOTEUR	KABEL, MOTORBREMSE	(434 - 484 (B&S CLASSIC/SPRINT/LS/LC))
-	81000641/0	1	CAVO FRENO MOTORE	CABLE, THREAD MOTOR BRAKE	CABLE FREIN MOTEUR	KABEL, MOTORBREMSE	(434 - 484 (HONDA GCV 135/160/190))
-	81000633/0	1	CAVO FRENO MOTORE	CABLE, THREAD MOTOR BRAKE	CABLE FREIN MOTEUR	KABEL, MOTORBREMSE	(434 (B&S QUANTUM))
-	81000631/0	1	CAVO FRENO MOTORE	CABLE, THREAD MOTOR BRAKE	CABLE FREIN MOTEUR	KABEL, MOTORBREMSE	(484 (B&S QUANTUM))
-	81000643/0	1	CAVO FRENO MOTORE	CABLE, THREAD MOTOR BRAKE	CABLE FREIN MOTEUR	KABEL, MOTORBREMSE	(534 (B&S CLASSIC/SPRINT/LS/LC))
-	81000642/0	1	CAVO FRENO MOTORE	CABLE, THREAD MOTOR BRAKE	CABLE FREIN MOTEUR	KABEL, MOTORBREMSE	(534 (B&S QUANTUM))
-	81000616/1	1	CAVO FRENO MOTORE	CABLE, THREAD MOTOR BRAKE	CABLE FREIN MOTEUR	KABEL, MOTORBREMSE	(534 (GGP ENGINE SV200))
-	81000640/0	1	CAVO FRENO MOTORE	CABLE, THREAD MOTOR BRAKE	CABLE FREIN MOTEUR	KABEL, MOTORBREMSE	(534 (HONDA GCV 135/160/190))
-	81000611/0	1	CAVO FRENO MOTORE	CABLE, THREAD MOTOR BRAKE	CABLE FREIN MOTEUR	KABEL, MOTORBREMSE	(GGP ENGINE M150/SV150)
34	81003291/3	1	LEVA FRENO MOTORE	LEVER, MOTOR BRAKE	LEVIER FREIN MOTEUR	HEBEL, MOTORBREMSE	
35	22041966/0	2	BUSSOLA	BUSH	DOUILLE	BUCHSE	
36	12728518/0	1	VITE	SCREW	VIS	SCHRAUBE	
37	22806612/0	1	SUPPORTO	SUPPORT	SUPPORT	HALTER	
38	22291050/0	1	IMPUGNATURA MANICO NERA	HANDGRIP BLACK	POIGNÉE NOIRE	HANDGRIFF SCHWARZER	

<b>CA</b>		<b>CAL</b>		2007
434	484	534		<b>611a.0</b>
				1 / 1



POS.	CODE	Q.TY	DESCRIZIONE	DESCRIPTION	DESCRIPTION	BESCHREIBUNG	REMARKS
231	22140223/0	1	DEFLETTORE	DEFLECTOR	DEFLECTEUR	DEFLEKTOR	(484)
-	22140222/0	1	DEFLETTORE	DEFLECTOR	DEFLECTEUR	DEFLEKTOR	(534)
232	22060199/0	1	CARTER	PROTECTION	PROTECTION	SCHUTZ	(484)
-	22060197/1	1	CARTER	PROTECTION	PROTECTION	SCHUTZ	(534)
233	12728530/0	3	VITE	SCREW	VIS	SCHRAUBE	
234	22291150/0	1	INSERTO IN GOMMA	RUBBER INSERT	INSERT DE GAOUTCHOUC	GUMMI EINSATZ	

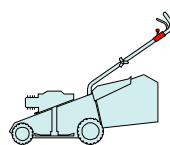
CA

CAL

434

484

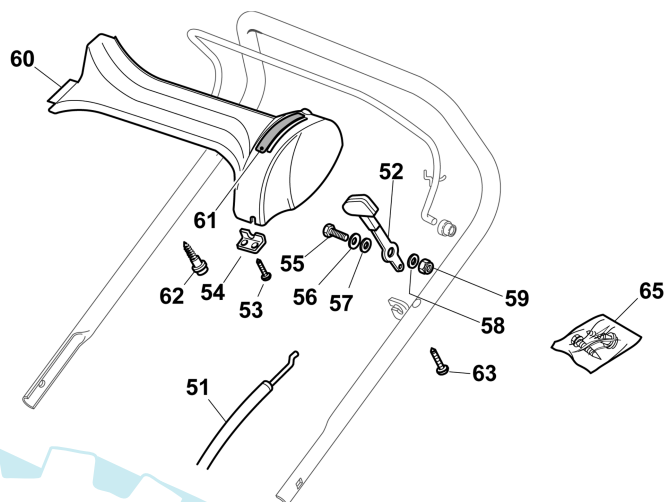
534



2007

612.0

1 / 1



POS.	CODE	Q.TY	DESCRIZIONE	DESCRIPTION	DESCRIPTION	BESCHREIBUNG	REMARKS
51	81007160/0	1	CAVO ACCELERATORE	CABLE, TROTTLE	CABLE, ACCELERATEUR	KABLE, BESCHLEUNIGER	
52	81007221/0	1	LEVA, ACCELERATORE	LEVER, THROTTLE	LEVIER, ACCELERATEUR	HEBEL, BESHLEUNIGER	(B&S CLASSIC/SPRINT/LS/LC - GGP ENGINE M150/SV150)
-	81007280/2	1	LEVA, ACCELERATORE	LEVER, THROTTLE	LEVIER, ACCELERATEUR	HEBEL, BESHLEUNIGER	(B&S QUANTUM - HONDA - GGP ENGINE SV200)
53	12735105/0	2	VITE	SCREW	VIS	SCHRAUBE	
54	22981467/0	1	PIASTRINA	PLATE	PLAQUETTE	PLÄTTCHEN	
55	12791500/0	1	VITE	SCREW	VIS	SCHRAUBE	
56	12530060/0	1	ROSETTA ELASTICA	SPRING WASHER	RONDELLE ELASTIQUE	ELASTISCHE SCHEIBE	
57	12523040/0	1	ROSETTA	WASHER	RONDELLE	SCHEIBE	
58	12523040/0	1	ROSETTA	WASHER	RONDELLE	SCHEIBE	
59	12154510/0	1	DADO	NUT	ECROU	MUTTER	
60	22120174/0	1	CRUSCOTTO GIALLO	DASH BOARD YELLOW	CONSOLE JAUNE	KONSOLE GELBE	
-	22120172/0	1	CRUSCOTTO NERO	DASH BOARD BLACK	CONSOLE NOIRE	KONSOLE SCHWARZE	
-	22120173/0	1	CRUSCOTTO ROSSO	DASH BOARD RED	CONSOLE ROUGE	KONSOLE ROTE	
61	14356744/0	1	ETICHETTA	LABEL	ETIQUETTE	ETIKETTE	(B&S)
-	14356743/0	1	ETICHETTA	LABEL	ETIQUETTE	ETIKETTE	(HONDA - GGP ENGINE)
62	22943006/0	1	VITE	SCREW	VIS	SCHRAUBE	
63	12728460/0	1	VITE	SCREW	VIS	SCHRAUBE	
65	81008609/0	1	DOTAZIONE VITERIA CRUSCOTTO	OUTFIT, DASH-BOARD SCREWS	DOTATION VISSERIE CONSOLLE	SATZ, KONSOLLE SCHRAUBEN	

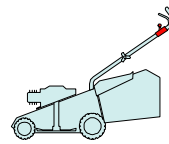
CA

CAL

434

484

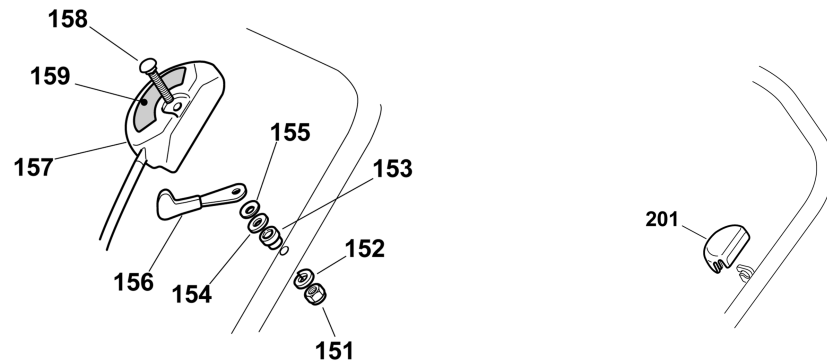
534



2007

612a.0

1 / 1



POS.	CODE	Q.TY	DESCRIZIONE	DESCRIPTION	DESCRIPTION	BESCHREIBUNG	REMARKS
151	12291000/0	1	DADO	NUT	ECROU	MUTTER	
152	12581500/0	1	GROWER	GROWER	GROWER	FEDERRING	
153	22171005/0	1	DISTANZIALE	SPACER	ENTRETOISE	DISTANZRING	
154	12521360/0	1	ROSETTA	WASHER	RONDELLE	SCHEIBE	
155	12508100/0	1	ROSETTA ELASTICA	SPRING WASHER	RONDELLE ELASTIQUE	ELASTISCHE SCHEIBE	
156	81007220/0	1	LEVA, ACCELERATORE	LEVER, THROTTLE	LEVIER, ACCELERATEUR	HEBEL, BESHLEUNIGER	(B&S CLASSIC/SPRINT/LS/LC - GGP ENGINE M150/SV150)
-	81007279/1	1	LEVA, ACCELERATORE	LEVER, THROTTLE	LEVIER, ACCELERATEUR	HEBEL, BESHLEUNIGER	(B&S QUANTUM - HONDA - GGP ENGINE SV200)
157	81007080/0	1	CAVO ACCELERATORE	CABLE, TROTTLE	CABLE, ACCELERATEUR	KABLE, BESCHLEUNIGER	
158	12815000/0	1	VITE	SCREW	VIS	SCHRAUBE	
159	14356703/0	1	ETICHETTA	LABEL	ETIQUETTE	ETIKETTE	(B&S)
-	14356702/0	1	ETICHETTA	LABEL	ETIQUETTE	ETIKETTE	(GGP ENGINE - HONDA)
201	22601000/0	1	PROTEZIONE	PROTECTION	PROTECTION	SCHUTZ	

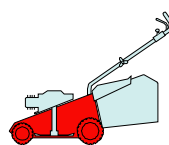
CA

CAL

434

484

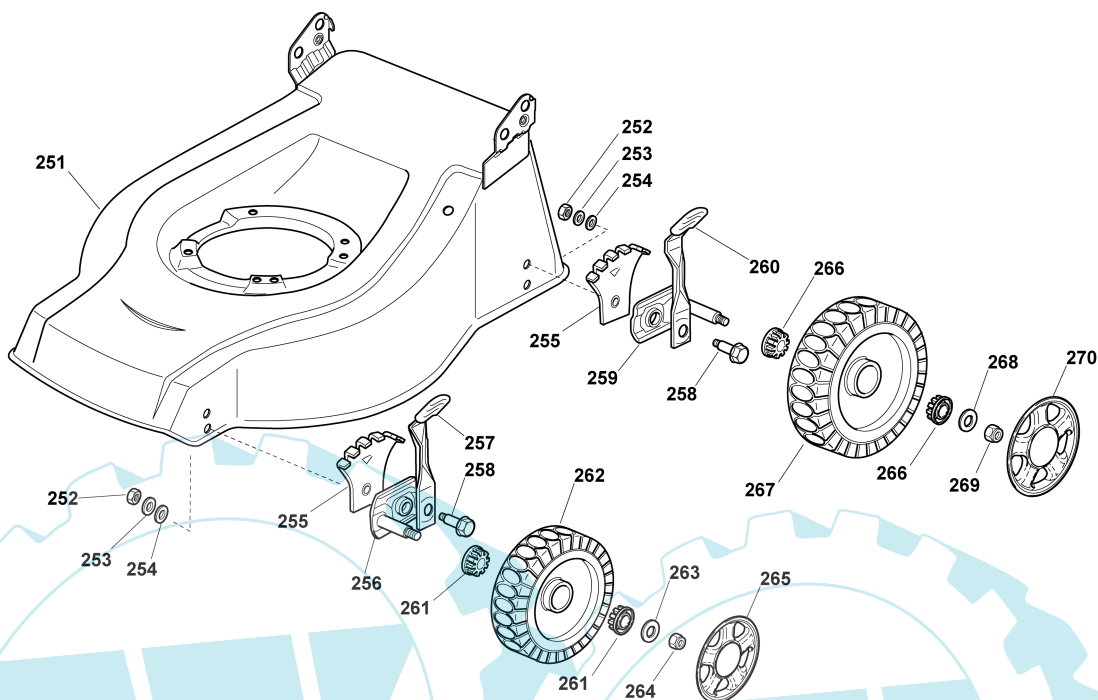
534



2007

613.0

1 / 1



POS.	CODE	Q.TY	DESCRIZIONE	DESCRIPTION	DESCRIPTION	BESCHREIBUNG	REMARKS
251	81001892/0	1	CHASSIS ROSSO	DECK RED	CHÂSSIS ROUGE	GEHÄUSE ROT	(434)
-	81001800/1	1	CHASSIS ROSSO	DECK RED	CHÂSSIS ROUGE	GEHÄUSE ROT	(484)
-	81001806/1	1	CHASSIS ROSSO	DECK RED	CHÂSSIS ROUGE	GEHÄUSE ROT	(534)
252	12293200/0	4	DADO	NUT	ECROU	MUTTER	
253	12583500/0	4	GROWER	GROWER	GROWER	FEDERRING	
254	12523070/0	4	ROSETTA	WASHER	RONDELLE	SCHEIBE	
255	22735547/0	4	SETTORE REGOLAZIONE ALTEZZA	SECTOR, HEIGHT ADJUSTMENT	SECTEUR REGLAGE HAUTEUR	SEKTOR, HÖHEVERSTELLUNG	
256	81005082/0	2	SUPPORTO RUOTA	SUPPORT, WHEEL	SUPPORT ROUE	HALTER, RAD	
257	81003285/1	2	LEVA REGOLAZIONE ALTEZZA	LEVER, HEIGHT ADJUSTMENT	LEVIER REGLAGE HAUTEUR	HEBEL, HÖNEVERSTELLUNG	
258	22519811/0	4	PERNO	PIN	PIVOT	BOLZEN	
259	81005084/0	2	SUPPORTO RUOTA	SUPPORT, WHEEL	SUPPORT ROUE	HALTER, RAD	
260	81003286/0	2	LEVA REGOLAZIONE ALTEZZA	LEVER, HEIGHT ADJUSTMENT	LEVIER REGLAGE HAUTEUR	HEBEL, HÖNEVERSTELLUNG	
261	22034508/0	4	BUSSOLA	BUSH	DOUILLE	BUCHSE	
262	81007336/0	2	RUOTA SCOLPITA Ø 170	WHEEL, KNOBBLY Ø 170	ROUE SCULPTEE Ø 170	RAD M. STOLLENPR. Ø 170	
263	12523060/0	2	ROSETTA	WASHER	RONDELLE	SCHEIBE	
264	12155000/0	2	DADO	NUT	ECROU	MUTTER	
265	---	2	COPRIMOZZO	HUB CAP	COUVRE-MOYEU	RADKAPPE	(SEE ENCLOSURE 1)
266	22034508/0	4	BUSSOLA	BUSH	DOUILLE	BUCHSE	
267	81007337/0	2	RUOTA SCOLPITA Ø 210	WHEEL, KNOBBLY Ø 210	ROUE SCULPTEE Ø 210	RAD M. STOLLENPR. Ø 210	
268	12523060/0	2	ROSETTA	WASHER	RONDELLE	SCHEIBE	
269	12155000/0	2	DADO	NUT	ECROU	MUTTER	
270	---	2	COPRIMOZZO	HUB CAP	COUVRE-MOYEU	RADKAPPE	(SEE ENCLOSURE 2)

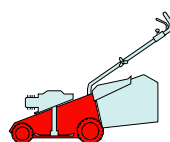
CA

CAL

434

484

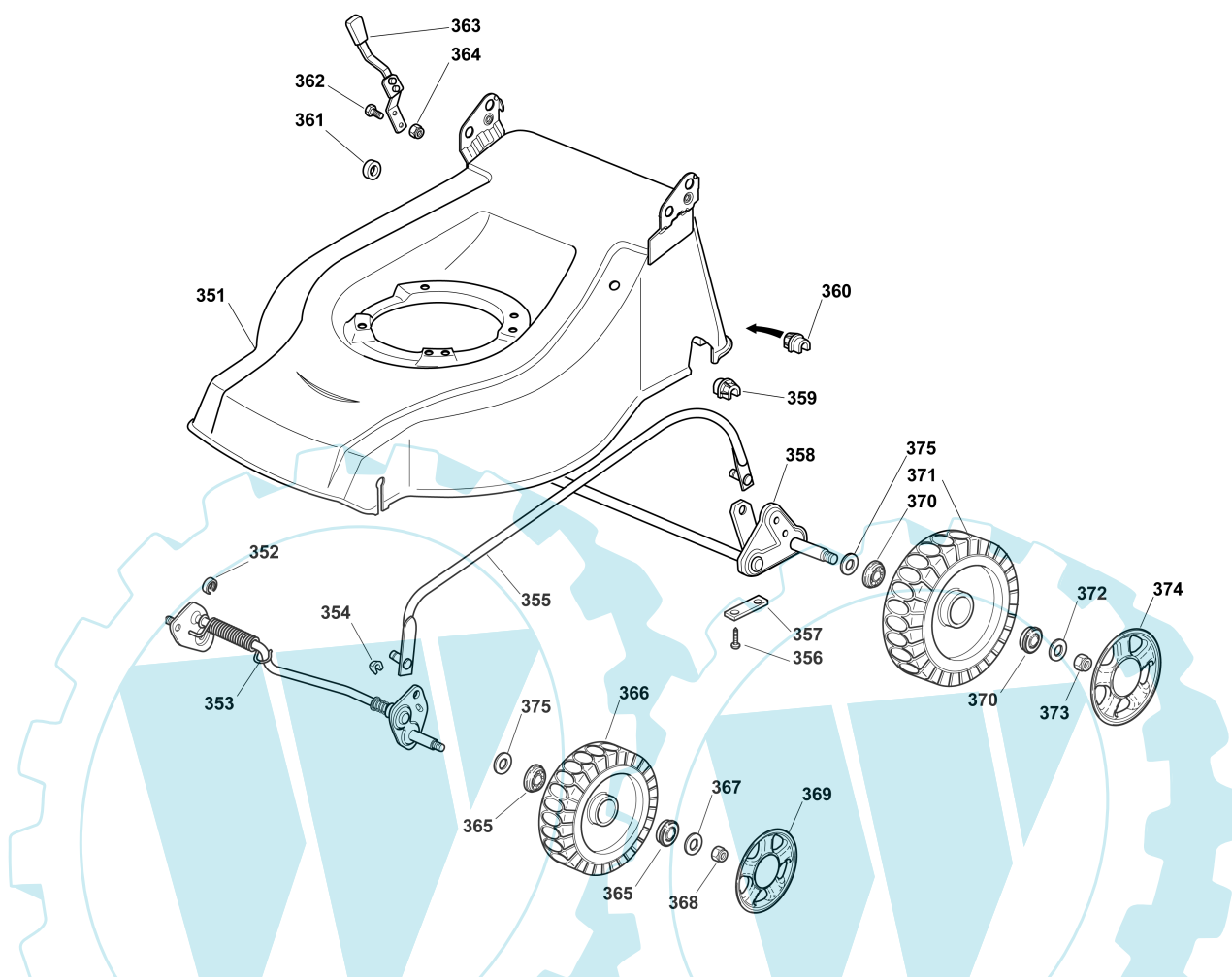
534



2007

613a.0

1 / 2



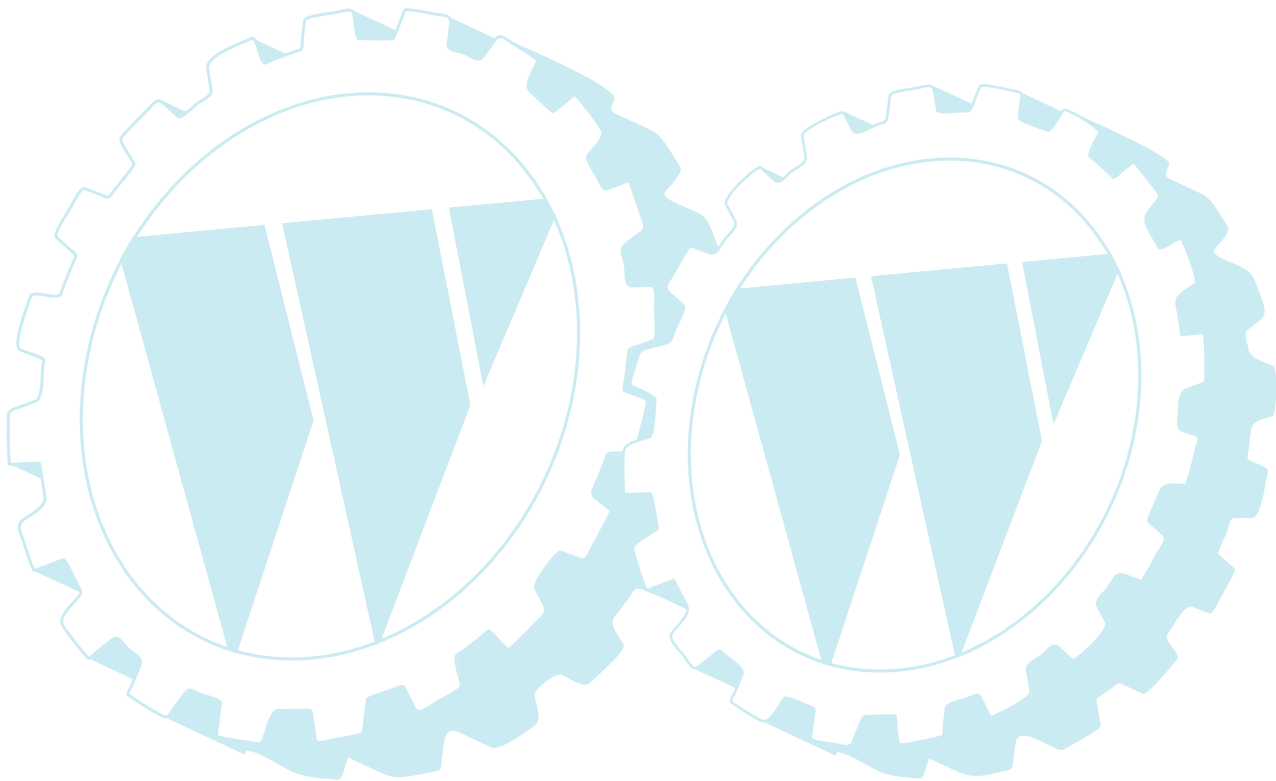
POS.	CODE	Q.TY	DESCRIZIONE	DESCRIPTION	DESCRIPTION	BESCHREIBUNG	REMARKS
351	81001898/0	1	CHASSIS ROSSO	DECK RED	CHÂSSIS ROUGE	GEHÄUSE ROT	(434)
-	81001815/1	1	CHASSIS ROSSO	DECK RED	CHÂSSIS ROUGE	GEHÄUSE ROT	(484)
-	81001821/1	1	CHASSIS ROSSO	DECK RED	CHÂSSIS ROUGE	GEHÄUSE ROT	(534)
352	22171002/0	1	DISTANZIALE	SPACER	ENTRETOISE	DISTANZRING	
-	12436050/0	2	PIASTRINA	PLATE	PLAQUETTE	PLÄTTCHEN	
353	81000145/1	1	ASSE RUOTE ANTERIORI	AXLE, FRONT WHEELS	AXE ROUES AVANT	ACHSE, VORDERRAD	(434)
-	81000141/1	1	ASSE RUOTE ANTERIORI	AXLE, FRONT WHEELS	AXE ROUES AVANT	ACHSE, VORDERRAD	(484)
-	81000143/1	1	ASSE RUOTE ANTERIORI	AXLE, FRONT WHEELS	AXE ROUES AVANT	ACHSE, VORDERRAD	(534)
355	81006485/0	1	ASTA COMANDO REGOL. ALTEZZA	ROD, HEIGHT ADJUSTMENT CONTROL	TIGE COMMANDE REGLAGE HAUTEUR	STANGE, HÖHEVERSTELLUNG	(434)
-	81006481/1	1	ASTA COMANDO REGOL. ALTEZZA	ROD, HEIGHT ADJUSTMENT CONTROL	TIGE COMMANDE REGLAGE HAUTEUR	STANGE, HÖHEVERSTELLUNG	(484)
-	81006483/1	1	ASTA COMANDO REGOL. ALTEZZA	ROD, HEIGHT ADJUSTMENT CONTROL	TIGE COMMANDE REGLAGE HAUTEUR	STANGE, HÖHEVERSTELLUNG	(534)
356	12731350/0	4	VITE	SCREW	VIS	SCHRAUBE	
357	22545142/0	2	PIASTRINA	PLATE	PLAQUETTE	PLÄTTCHEN	
358	81001278/0	1	ASSE RUOTE POSTERIORI	AXLE, REAR WHEELS	AXE ROUES ARRIERE	ACHSE, HINTERRAD	
359	22038403/0	1	BRONZINA SX	L BUSH	DOUILLE G	LINKE BUCHSE	
360	22038402/0	1	BRONZINA DX	R BUSH	DOUILLE D	RECHTE BUCHSE	
361	22170800/0	1	DISTANZIALE	SPACER	ENTRETOISE	DISTANZRING	
362	12789000/0	2	VITE	SCREW	VIS	SCHRAUBE	

2007

613a.0

2 / 2

POS.	CODE	Q.TY	DESCRIZIONE	DESCRIPTION	DESCRIPTION	BESCHREIBUNG	REMARKS
363	81003283/1	1	LEVA REGOLAZIONE ALTEZZA	LEVER, HEIGHT ADJUSTMENT	LEVIER REGLAGE HAUTEUR	HEBEL, HÖNEVERSTELLUNG	
364	12154320/0	2	DADO	NUT	ECROU	MUTTER	
365	22122200/0	4	CUSCINETTO	BEARING	COUSSINET	LAGER	
366	81007336/0	2	RUOTA SCOLPITA Ø 170	WHEEL, KNOBBLY Ø 170	ROUE SCULPTEE Ø 170	RAD M. STOLLENPR. Ø 170	
367	12521350/0	2	ROSETTA	WASHER	RONDELLE	SCHEIBE	
368	12155000/0	2	DADO	NUT	ECROU	MUTTER	
369	---	2	COPRIMOZZO	HUB CAP	COUVRE-MOYEU	RADKAPPE	(SEE ENCLOSURE 1)
370	22122200/0	4	CUSCINETTO	BEARING	COUSSINET	LAGER	
371	81007337/0	2	RUOTA SCOLPITA Ø 210	WHEEL, KNOBBLY Ø 210	ROUE SCULPTEE Ø 210	RAD M. STOLLENPR. Ø 210	
372	12521350/0	2	ROSETTA	WASHER	RONDELLE	SCHEIBE	
373	12155000/0	2	DADO	NUT	ECROU	MUTTER	
374	---	2	COPRIMOZZO	HUB CAP	COUVRE-MOYEU	RADKAPPE	(SEE ENCLOSURE 2)
375	12530150/0	4	ROSETTA ELASTICA	SPRING WASHER	RONDELLE ELASTIQUE	ELASTISCHE SCHEIBE	





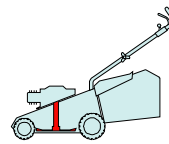
CA

CAL

434

484

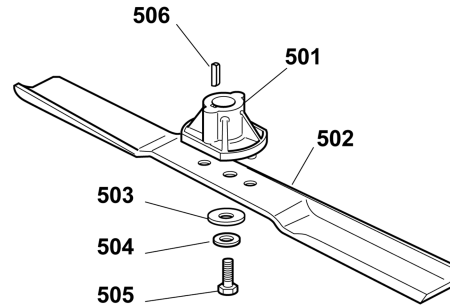
534



2007

614.0

1 / 1



POS.	CODE	Q.TY	DESCRIZIONE	DESCRIPTION	DESCRIPTION	BESCHREIBUNG	REMARKS
501	22463012/2	1	MOZZO	HUB	MOYEU	HALTER	
502	81004396/0	1	COLTELLO ALETTATO	BLADE WINGED	LAME AILETTÉE	MESSER FLÜGEL	(434)
-	81004341/3	1	COLTELLO STANDARD	BLADE STANDARD	LAME STANDARD	MESSER STANDARD	(434)
-	81004397/0	1	COLTELLO ALETTATO	BLADE WINGED	LAME AILETTÉE	MESSER FLÜGEL	(484)
-	81004346/3	1	COLTELLO STANDARD	BLADE STANDARD	LAME STANDARD	MESSER STANDARD	(484)
-	81004398/0	1	COLTELLO ALETTATO	BLADE WINGED	LAME AILETTÉE	MESSER FLÜGEL	(534)
-	81004381/1	1	COLTELLO STANDARD	BLADE STANDARD	LAME STANDARD	MESSER STANDARD	(534)
503	22160400/0	1	DISCO ELASTICO	ELASTIC WASHER	DISQUE ELASTIQUE	FEDERSCHEIBE	
504	12523080/0	1	ROSETTA	WASHER	RONDELLE	SCHEIBE	
505	12735698/0	1	VITE	SCREW	VIS	SCHRAUBE	
506	12139100/0	1	LINGUETTA	FEATHER	CLAVETTE	KEIL	

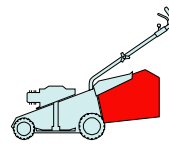
CA

CAL

434

484

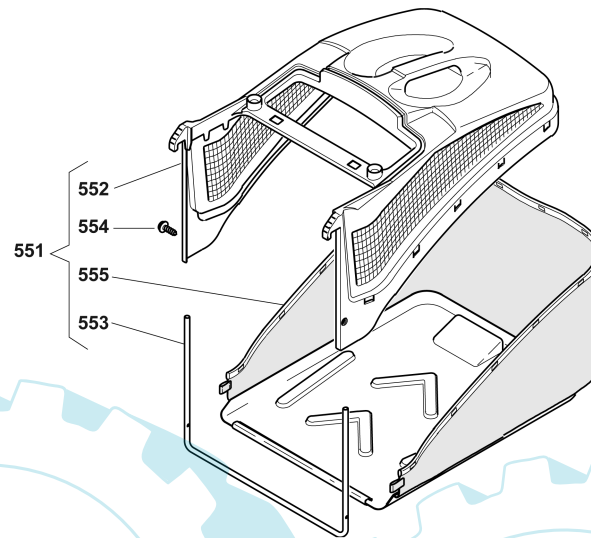
534



2007

615.0

1 / 1



POS.	CODE	Q.TY	DESCRIZIONE	DESCRIPTION	DESCRIPTION	BESCHREIBUNG	REMARKS
551	91000010/1	1	SACCO, COMPLETO	GRASSCATCHER, COMPLETE	SAC, COMPLETE	SACK, KOMPLETTE	
552	22486093/0	1	SACCO, PARTE SUP	GRASS-BOX, UPPER PART	SAC, PARTIE SUPERIEURE	KORB, OBERTEIL	
553	22608523/0	1	RINFORZO INF	STIFFENING LOWER	RÉNFORCEMENT INF	VERSTÄRKUNG UNTERE	
554	12728445/0	2	VITE	SCREW	VIS	SCHRAUBE	
555	81002195/0	1	SACCO, TELA	BOX, FABRIC	SAC, TOILE	SACK, TUCK	